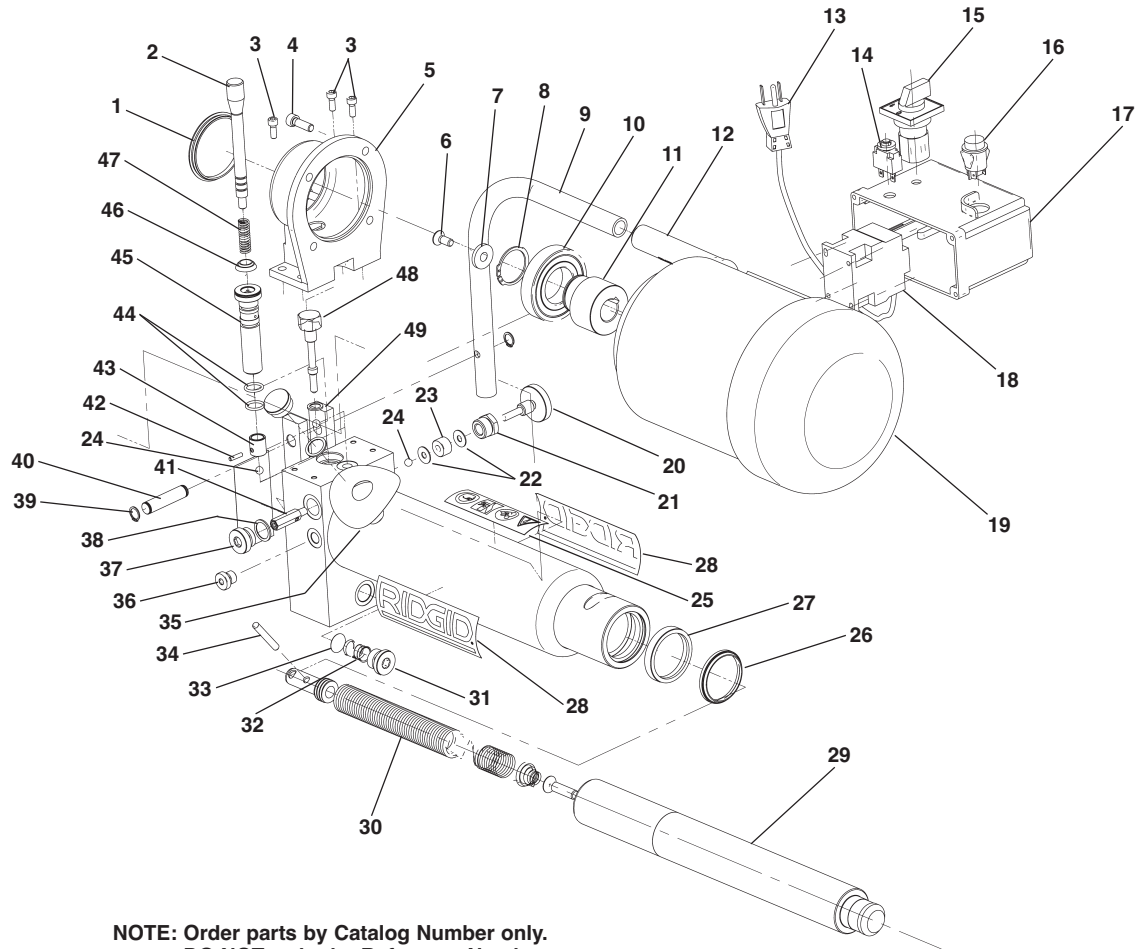


HB382E/HB383E Electro-Hydraulic Bender



**NOTE: Order parts by Catalog Number only.
DO NOT order by Reference Number.**

Ref No.	Catalog No.	Description	Ref No.	Catalog No.	Description
1	45218	Cap	22	38138	Copper Washer
2	45223	Press Ram	23	38143	Rubber Packing
3	45233	Screw M8 x 20 (4)	24	38148	Steel Ball (3)
4	45228	Screw M8 x 25 (4)	25	38163	Warning Label
5	45238	Upper Housing	26	38183	Scraper (HB382)
6	45243	Screw M8 x 20	27	38188	Scraper (HB383)
7	45248	Lock Nut	28	38173	HB382E Seal
8	45253	Safety Ring		38178	HB383E Seal
9	45258	Carrying Handle	28	38163	Warning Label
10	45263	Bearing	29	38193	HB382 Ram
11	45268	Eccentric Cone		38198	HB383 Ram
12	18218	Handle Grip	30	38203	Pull Spring
13	45793	Cord w/Plug (US)	31	38213	Plug
	45798	Cord w/Plug (Brazil)	32	38218	Spring
	45803	Cord w/Plug (EU 3 Phase)	33	38223	Filter
	45808	Cord w/Plug (EU 1 Phase)	34	38208	Pin
	45813	Cord w/Plug (CH)	35	38123	Operating Decal
14	45333	Circuit Breaker (230V)	36	38238	Plug
	45338	Circuit Breaker (115V)	37	45828	Plug F/Safety Valve
15	45343	Switch Asm. 1 Phase Motor	38	38153	O-Ring
	45348	Switch Asm. 3 Phase Motor	39	38253	Retaining Ring (2)
16	45353	Momentary Switch	40	38258	Pin
17	45328	Electric Box	41	45833	Safety Valve
18	45318	Contactor (115V)	42	45313	Notch Pin
	45323	Contactor (230V)	43	45308	Ball Cone
19	45273	Motor (US 115V)	44	45303	O-Ring (2)
	45278	Motor (Brazil 3PH 230V)	45	45298	Press Ram Housing
	45283	Motor (EU 230V)	46	45293	Scraper
	45288	Motor (EU 3PH 400V)	47	38208	Push Spring HB382E
	45473	Motor (CH 230V)	48	38098	Safety Screw
20	38128	Release Knob	49	38103	O-Ring
21	38133	Ring Nut			

45838 Repair Kit HB382E
45843 Repair Kit HB383E